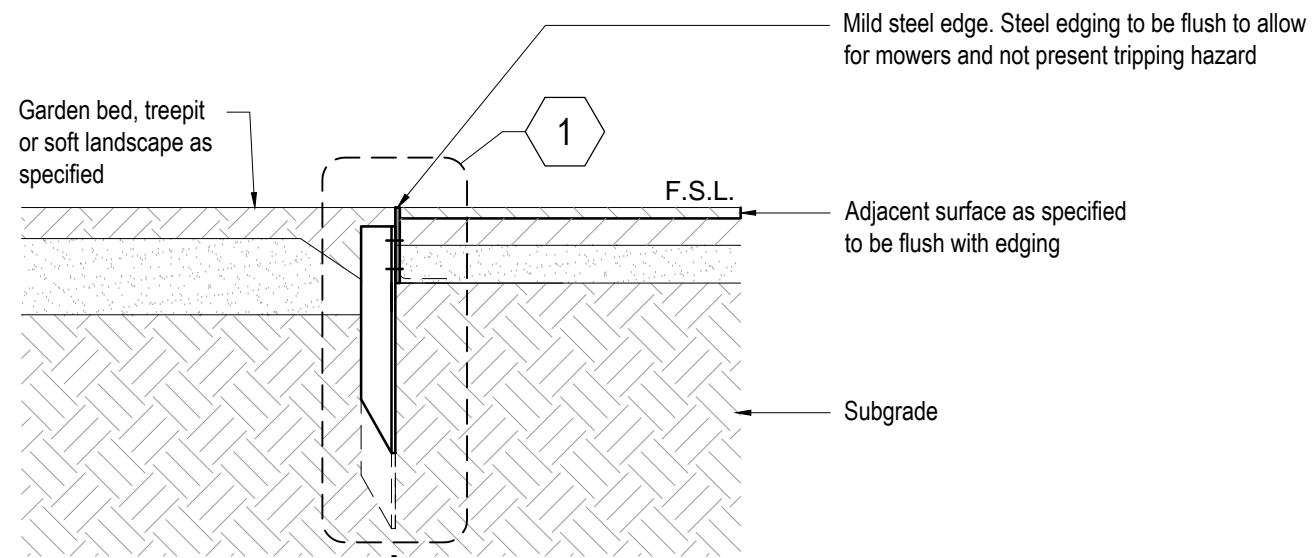
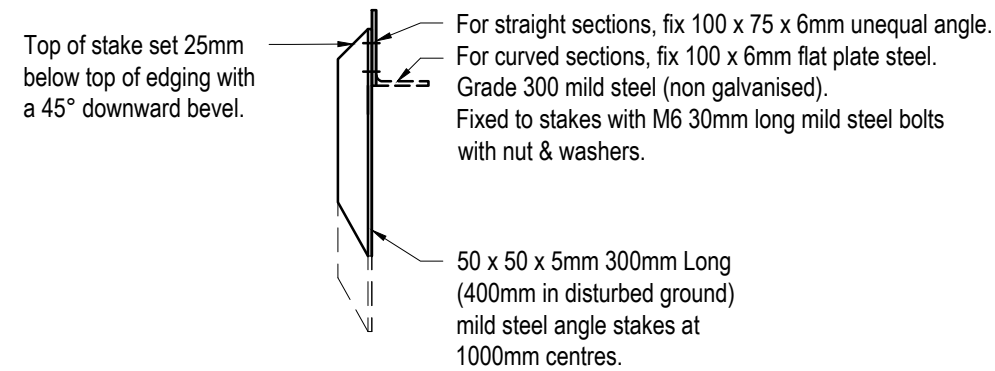


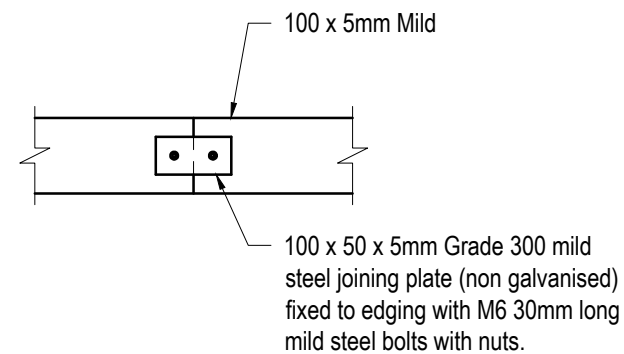
TIMBER EDGE



STEEL EDGE



1 DETAIL



STEEL EDGE JOINTING

NOTES:

1. Drawing in millimetres unless noted otherwise.
2. Material suppliers are to be approved by CoPP.
3. Where excavation will occur, contractor must conduct a Dial Before You Dig (www.1100.com.au).

TIMBER EDGE NOTES:

1. Timber edges are typically used as an edge treatment to tree pits within asphalt pathways. They may also be used as an edge treatment to asphalt or gravel pathways and along garden beds within parks and gardens.
2. Timber edges should be predominantly used for straight sections of edging.
3. Use only 'hot dipped' galvanised batten screw fixings.

A APPROVED FOR USE		DEC 2020
No	Revision	Date

Disclaimer:

The authors and sponsoring organisations shall have no liability or responsibility to the user or any other person or entity with respect to any liability, loss or damage caused or alleged to be caused, directly or indirectly, by the adoption and use of these Standard Drawings including, but not limited to, any interruption of service, loss of business or anticipatory profits, or consequential damages resulting from the use of these Standard Drawings. Persons must not rely on these Standard Drawings as the equivalent of, or a substitute for, project-specific design and assessment by an appropriately qualified professional.



DRAWING NOT TO SCALE		Drawing Title	GARDEN EDGING
Approved	Project Services	Original Size	A3
Date	Dec. 2020	Drawing No:	CPP3201
			Rev: A