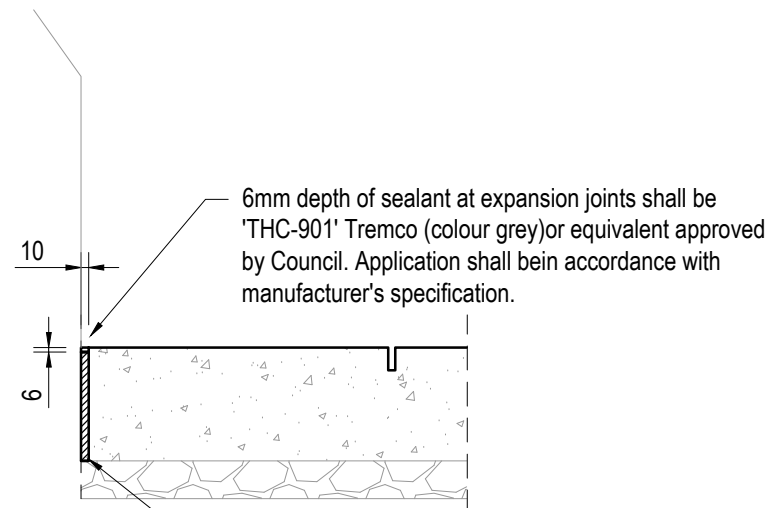


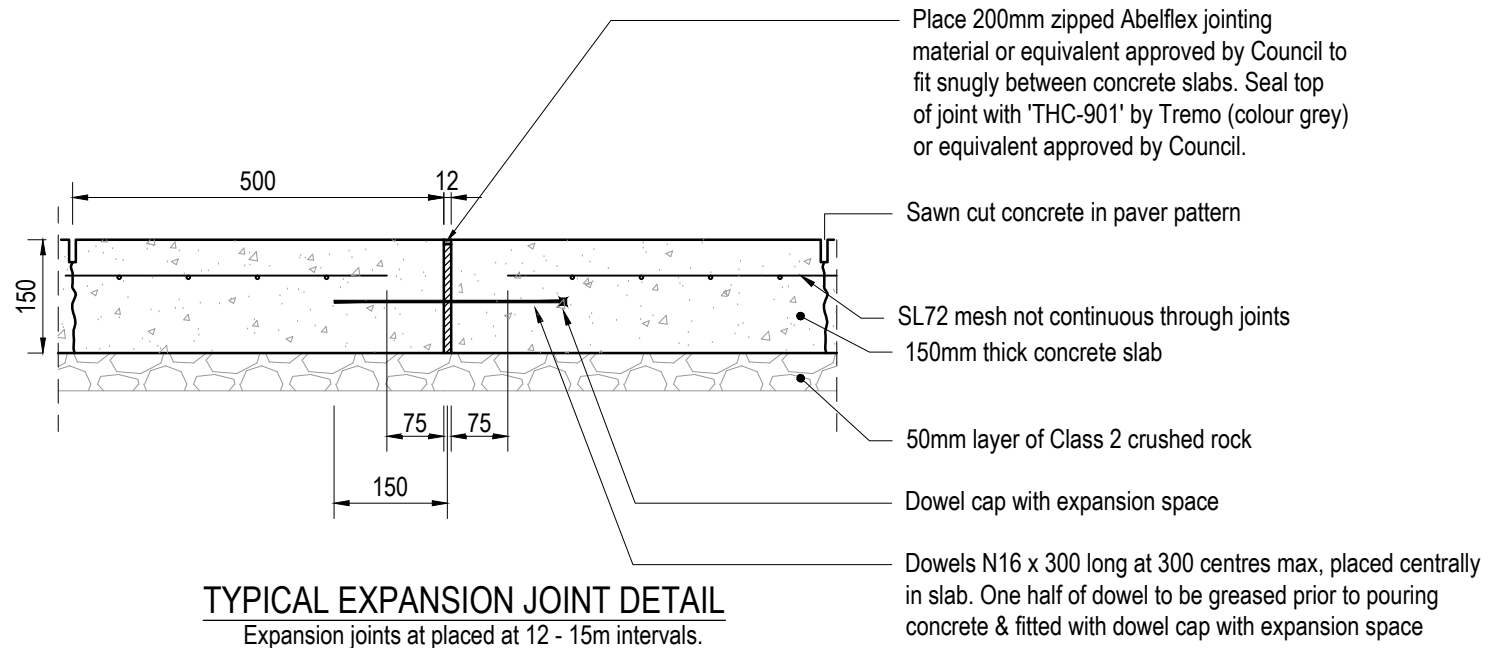
Pattern shown is indicative only.  
Pattern to match existing, or as specified by Council.

**CONCRETE PAVING CAST INSITU LAYOUT**

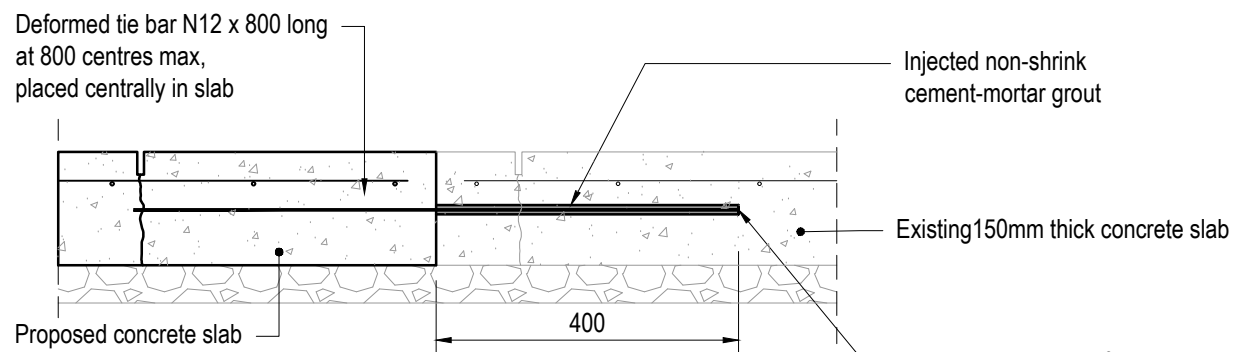


Place 200mm zipped Abelflex jointing material or equivalent approved by Council to fit snugly between slab and wall, kerb etc.

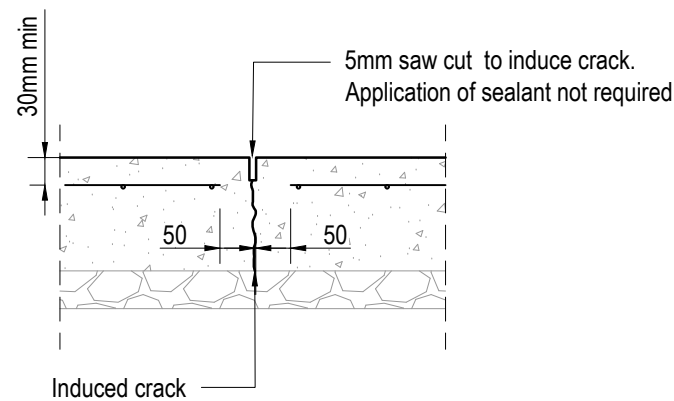
**TYPICAL ISOLATION JOINT DETAIL**



**TYPICAL EXPANSION JOINT DETAIL**  
Expansion joints at placed at 12 - 15m intervals.



**TYPICAL EXISTING CONNECTION JOINT DETAIL**



**TYPICAL CRACK-INDUCED CONTRACTION JOINT**

Intervals to match desired paving layout

**NOTES**

1. Standard size of cast insitu paving unit is 500x 500.
2. Concrete strength: 25 MPa at 28 days.
3. Concrete to be formed and cut in a pattern to match existing pavement, or as specified by Council.
4. The paving should provide a consistent finish and be level and flush with existing pavement surfaces.
5. Reinforcement with 300mm min lap, placed centrally using bar chairs.
6. All dimensions are in millimetres unless noted otherwise.

A APPROVED FOR USE		DEC 2020
No	Revision	Date

**Disclaimer:**

The authors and sponsoring organisations shall have no liability or responsibility to the user or any other person or entity with respect to any liability, loss or damage caused or alleged to be caused, directly or indirectly, by the adoption and use of these Standard Drawings including, but not limited to, any interruption of service, loss of business or anticipatory profits, or consequential damages resulting from the use of these Standard Drawings. Persons must not rely on these Standard Drawings as the equivalent of, or a substitute for, project-specific design and assessment by an appropriately qualified professional.



DRAWING NOT TO SCALE		Drawing Title <b>FOOTPATH PAVEMENT CONCRETE PAVER INSITU</b>
Approved	Project Services	
Date	Dec. 2020	Original Size <b>A3</b> Drawing No: <b>CPP1305</b>
		Rev: <b>A</b>