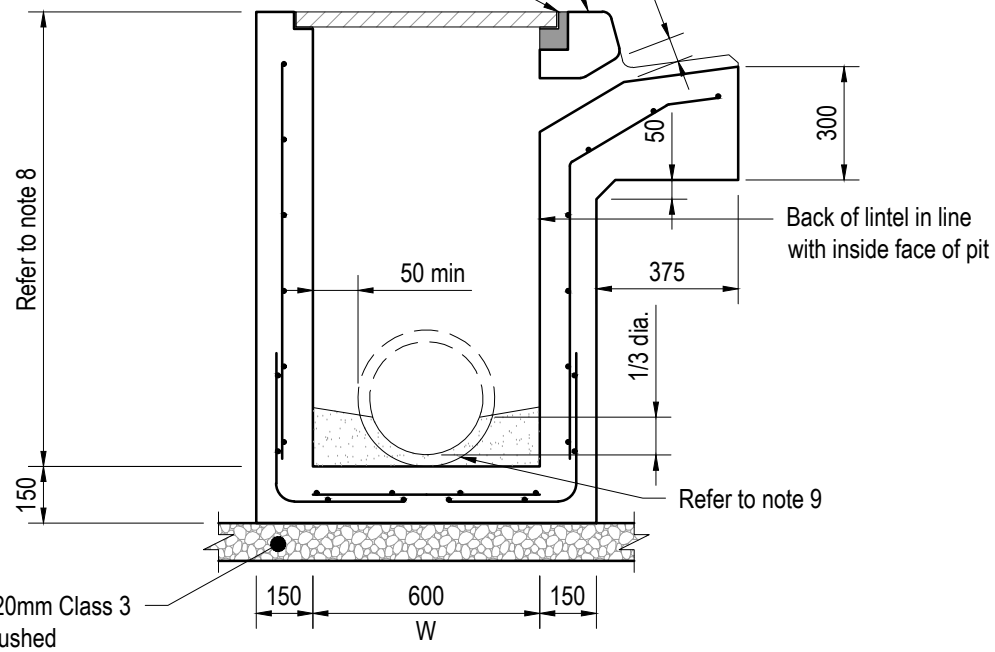
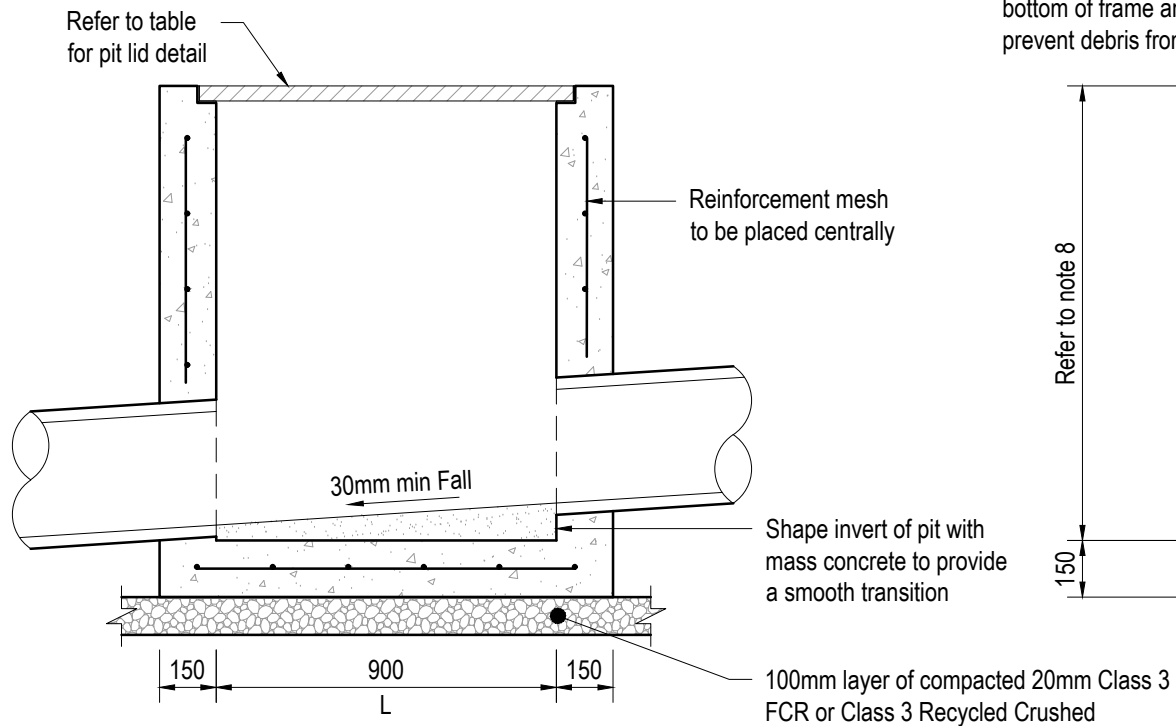


KERB INVERT ELEVATION

Precast concrete lintel:
 SVC Kerb Lintel 15.361 for barrier kerb profile
 SVC Kerb Lintel 15.320 for semi mountable kerb profile or equivalent approved by Council to match colour and profile of adjacent kerb

Provide epoxy mortar infill between bottom of frame and pit walls to prevent debris from falling into the pit

as approved by Council
 65 - 85mm or



REINFORCEMENT DETAILS	
LENGTH OR WIDTH OF BASE (L or W)	REINFORCEMENT
0 ≤ 1200	SL92
1201 ≤ 1800	RL918
1801 ≤ 2400	RL1218

LOCATION	PIT COVER	CLASS
Landscape (non trafficable)	Grey coloured Terra Firma Endurotek pit lid or equivalent approved by Council with minimum 100mm concrete surrounds	C (AS3996-150kN)
Footpath (non trafficable)	Grey coloured Terra Firma Endurotek pit lid or equivalent approved by Council	C (AS3996-150kN)

NOTES:

- Drawing in millimetres unless noted otherwise.
- Reinforcement with 300mm minimum lap length and placed centrally. Corner return reinforcement may be fabric or equivalent bars.
- Concrete strength to be 32MPa (40MPa in marine environments) at 28 days as approved by Council and compliant with AS1379.
- Pits deeper than 1000mm shall be fitted with step irons. Refer to CPP2110.
- Maximum 450mm diameter pipe for 600mm wide pit. For larger pipe sizes refer to CPP2109.
- Minimum fall across pit base to be 30mm.
- Grout: 2 parts sand, 1 part cement and sufficient water to produce mix of suitable consistency.
- Maximum depth of pit is 3600mm. For pits of greater depth, refer to unhaunched Vicroads pit standard drawing.
- Shape pit invert to one third outlet pipe diameter.
- Pit cover lock to be on property side, not street side.

A APPROVED FOR USE		DEC 2020
No	Revision	Date

Disclaimer:
 The authors and sponsoring organisations shall have no liability or responsibility to the user or any other person or entity with respect to any liability, loss or damage caused or alleged to be caused, directly or indirectly, by the adoption and use of these Standard Drawings including, but not limited to, any interruption of service, loss of business or anticipatory profits, or consequential damages resulting from the use of these Standard Drawings. Persons must not rely on these Standard Drawings as the equivalent of, or a substitute for, project-specific design and assessment by an appropriately qualified professional.



DRAWING NOT TO SCALE	
Approved	Project Services
Date	Dec. 2020

Drawing Title	SIDE ENTRY PIT TYPE 1	
Original Size	Drawing No:	CPP2103
		Rev: A