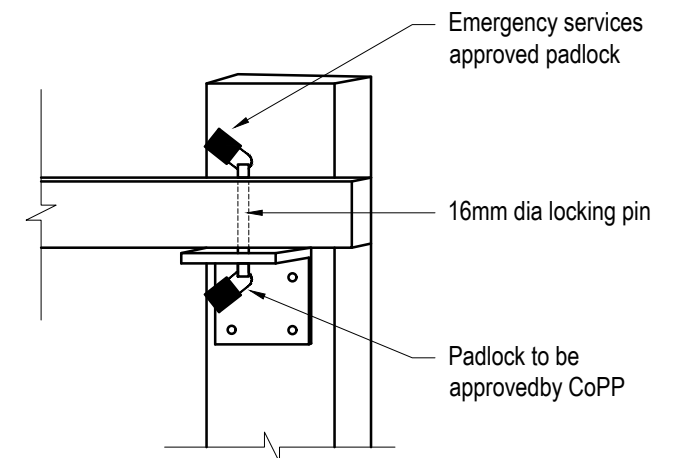
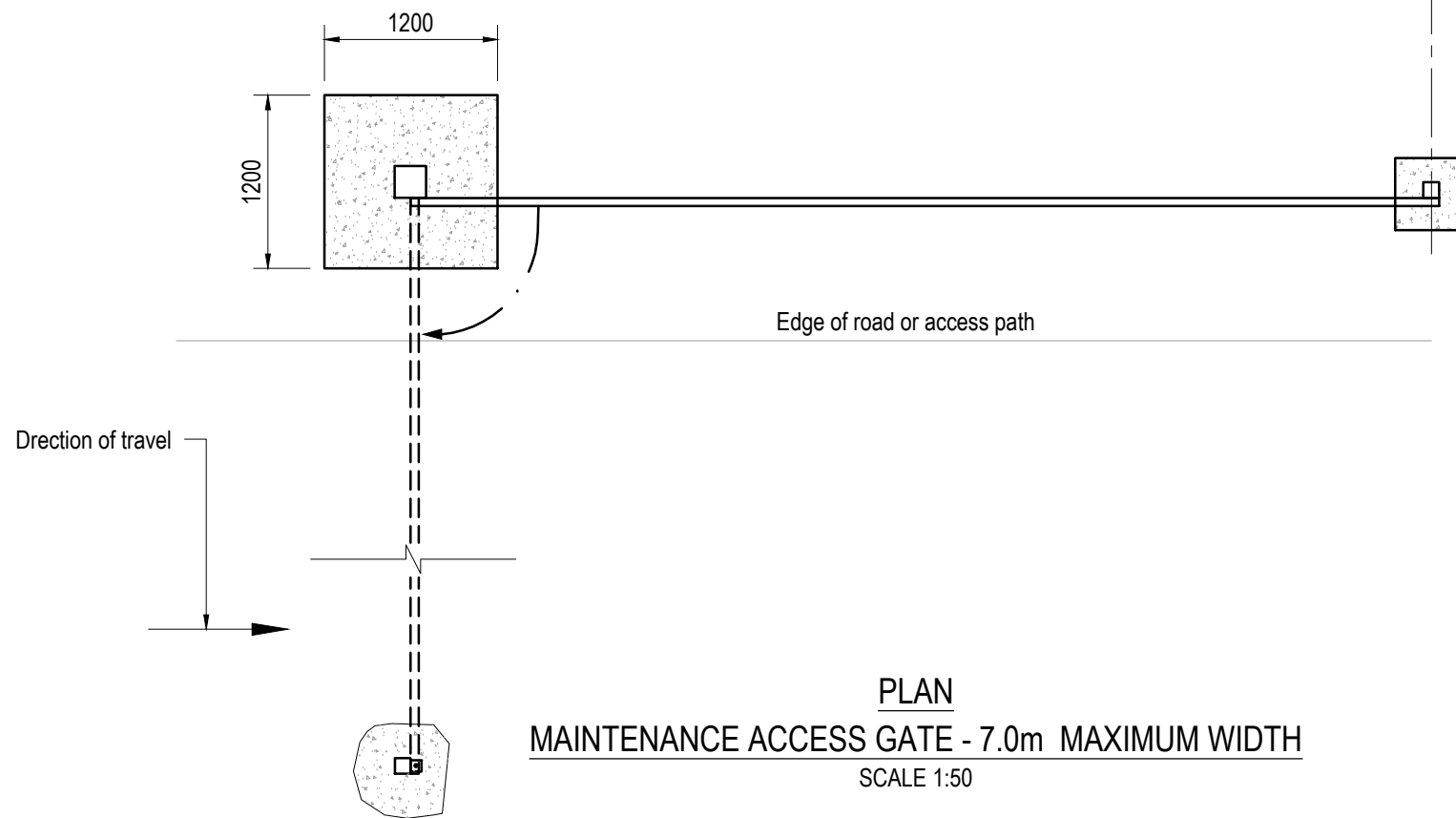


ELEVATION
MAINTENANCE ACCESS GATE - 7.0m MAXIMUM WIDTH
 SCALE 1:50



1 **DETAIL**



PLAN
MAINTENANCE ACCESS GATE - 7.0m MAXIMUM WIDTH
 SCALE 1:50

NOTES:

1. Drawing in millimetres unless noted otherwise.
2. Gate to be installed at access points to local, regional and bushland reserves for maintenance vehicle access.
3. Steel locking post must be installed to hold gate when in open position.
4. All steel works must be heavy duty galvanised and powder coated in white colour.
5. All bolts, nuts and washers including hinges are to be stainless steel 316 grade for corrosion protection.
6. Contractor shall fabricate, supply and install gates as per specification. Any debris and other unwanted material must be taken away from the site and be disposed thoroughly.
7. Shop drawings shall be submitted to Council for approval prior to fabrication.
8. Example of gate can be found at corner of Cowderoy Street and Beaconfield Parade.
9. Where excavation will occur, contractor must conduct a Dial Before You Dig (www.1100.com.au).

A APPROVED FOR USE		DEC 2020
No	Revision	Date

Disclaimer:

The authors and sponsoring organisations shall have no liability or responsibility to the user or any other person or entity with respect to any liability, loss or damage caused or alleged to be caused, directly or indirectly, by the adoption and use of these Standard Drawings including, but not limited to, any interruption of service, loss of business or anticipatory profits, or consequential damages resulting from the use of these Standard Drawings. Persons must not rely on these Standard Drawings as the equivalent of, or a substitute for, project-specific design and assessment by an appropriately qualified professional.



DRAWING NOT TO SCALE		Drawing Title	GATE - ACCESS GATE
Approved	Project Services	Original Size	A3
Date	Dec. 2020	Drawing No:	CPP3506
			Rev: A