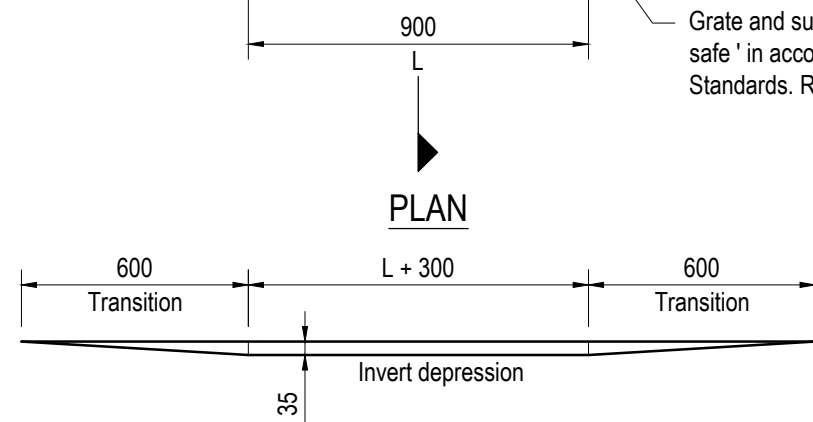


PLAN VIEW
CORNER DETAILS

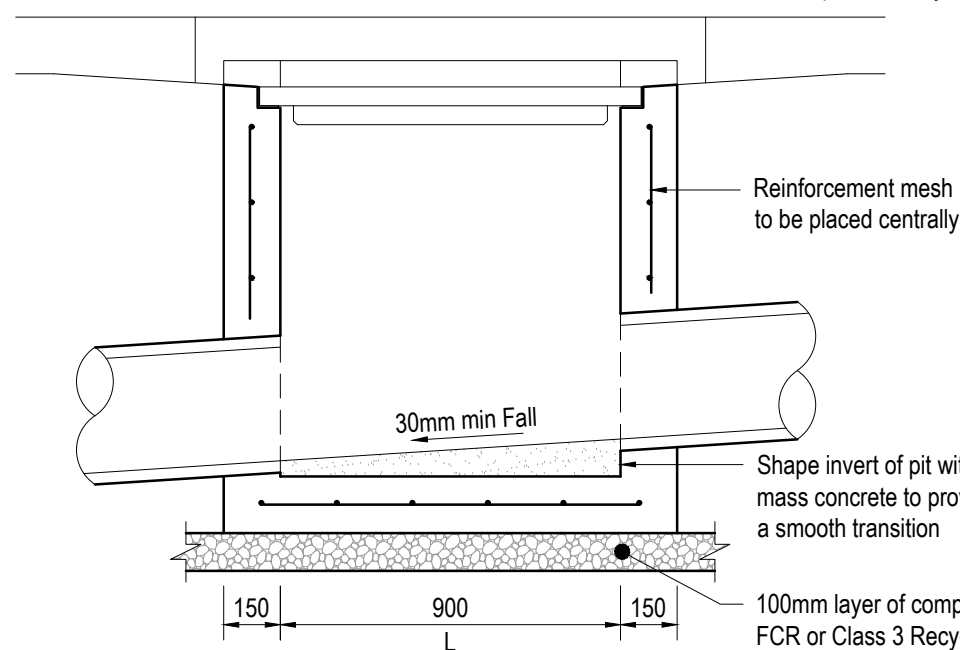
REINFORCEMENT DETAILS	
LENGTH OR WIDTH OF BASE (L or W)	REINFORCEMENT
0 ≤ 1200	SL92
1201 ≤ 1800	RL918
1801 ≤ 2400	RL1218

LOCATION	PIT COVER	CLASS
Road (trafficable)	R&S Grating Eco-Weaved SG-H-MSG-EW9060 or equivalent approved by Council	D (AS3996 - 210kN)

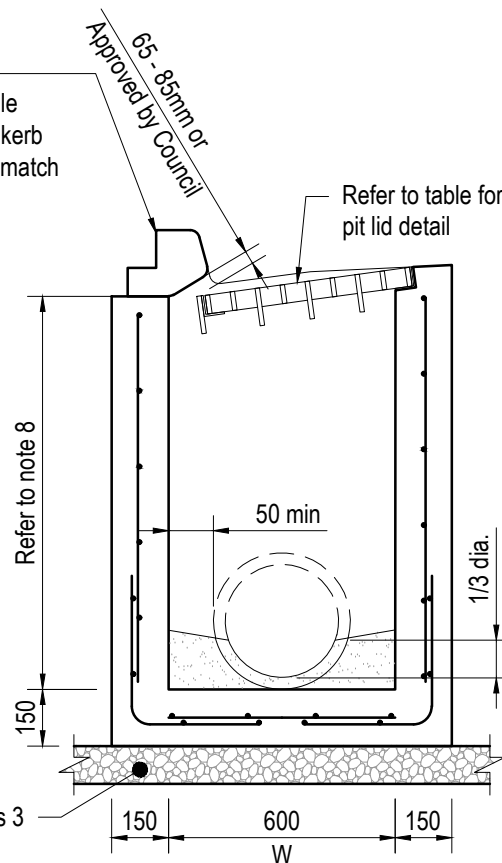


KERB INVERT ELEVATION

Precast concrete lintel:
SVC Kerb Lintel 15.361 for barrier kerb profile
SVC Kerb Lintel 15.320 for semi mountable kerb profile or equivalent approved by Council to match colour and profile of adjacent kerb



A SECTION



B SECTION

NOTES:

- Drawing in millimetres unless noted otherwise.
- Reinforcement with 300mm minimum lap length and placed centrally. Corner return reinforcement may be fabric or equivalent bars.
- Concrete strength to be 32MPa (40MPa in marine environments) at 28 days as approved by Council and compliant with AS1379.
- Pits deeper than 1000mm shall be fitted with step irons. Refer to CPP2110.
- Maximum 450mm diameter pipe for 600mm wide pit. For larger pipe sizes refer to CPP2109.
- Minimum fall across pit base to be 30mm.
- Grout: 2 parts sand, 1 part cement and sufficient water to produce mix of suitable consistency.
- Maximum depth of pit is 3600mm. For pits of greater depth, refer to unhaunched VicRoads pit standard drawing.
- Colour of concrete pit surrounds to match colour of surrounding concrete or bluestone kerb and channel.
- Concrete pit surrounds to be tied in perpendicular to the lip of channel (without diagonal splay) in areas with bluestone kerb and channel.

A APPROVED FOR USE		DEC 2020
No	Revision	Date

Disclaimer:

The authors and sponsoring organisations shall have no liability or responsibility to the user or any other person or entity with respect to any liability, loss or damage caused or alleged to be caused, directly or indirectly, by the adoption and use of these Standard Drawings including, but not limited to, any interruption of service, loss of business or anticipatory profits, or consequential damages resulting from the use of these Standard Drawings. Persons must not rely on these Standard Drawings as the equivalent of, or a substitute for, project-specific design and assessment by an appropriately qualified professional.



DRAWING NOT TO SCALE	
Approved	Project Services
Date	Dec. 2020

Drawing Title	GRATED SIDE ENTRY PIT TYPE 1
Original Size	A3
Drawing No:	CPP2104
Rev:	A