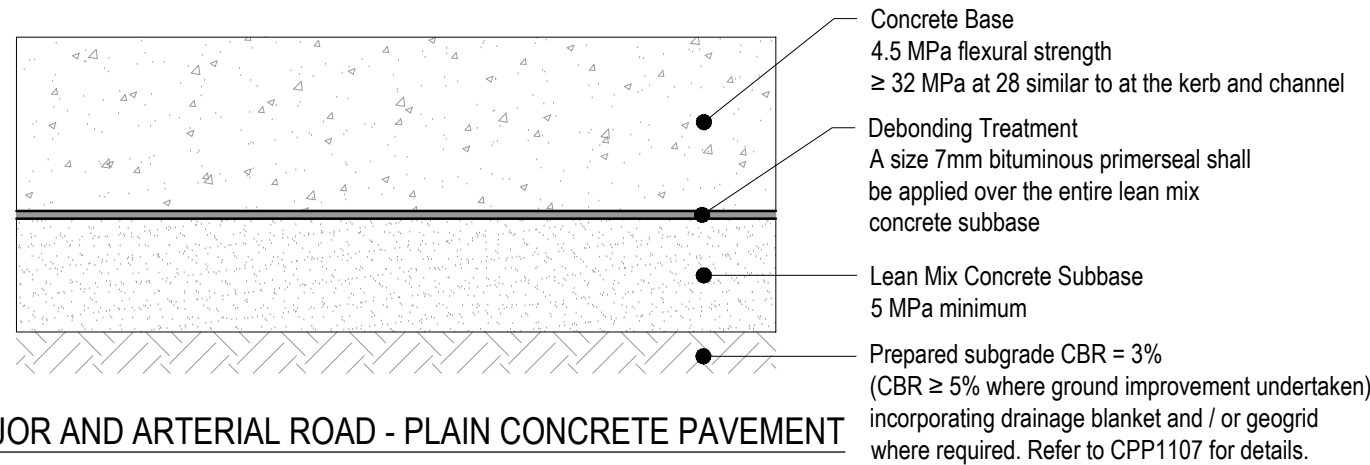
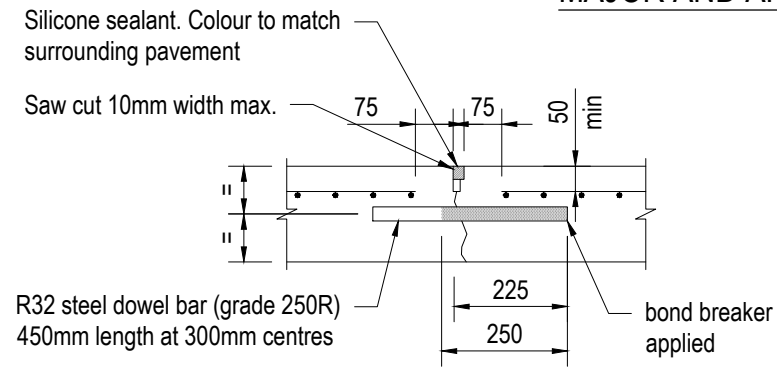


Major and Arterial Road - Plain Concrete Pavement

Road Type	Pavement Type	Lean Mix Concrete Subbase thickness (mm)	Minimum Concrete Base Thickness (mm)	Minimum Steel Reinforcing (where required)
Major & Arterial Roads	Plain Concrete Pavement (PCP)	150	230	SL92



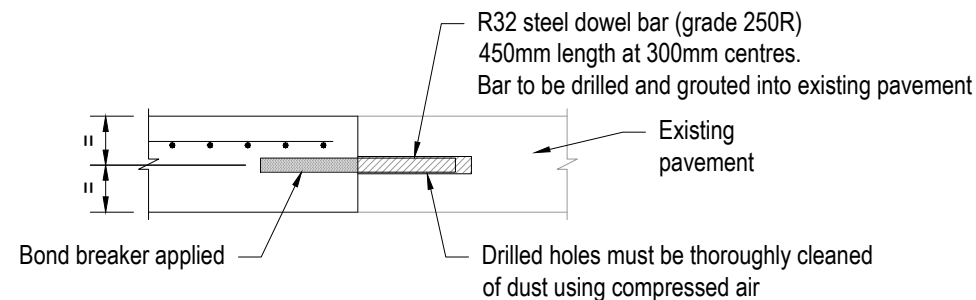
MAJOR AND ARTERIAL ROAD - PLAIN CONCRETE PAVEMENT



Dowelled joint - where reinforcement is used

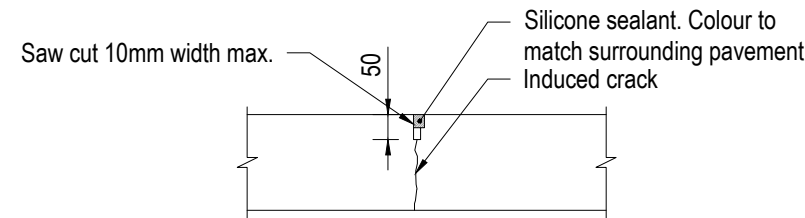
TRANSVERSE CONTRACTION JOINT

Maximum contraction joint spacing: 4.25m
or no less than 20 times the slab thickness



DOWELLED JOINT - REINSTATEMENT AND SLAB REPAIRS

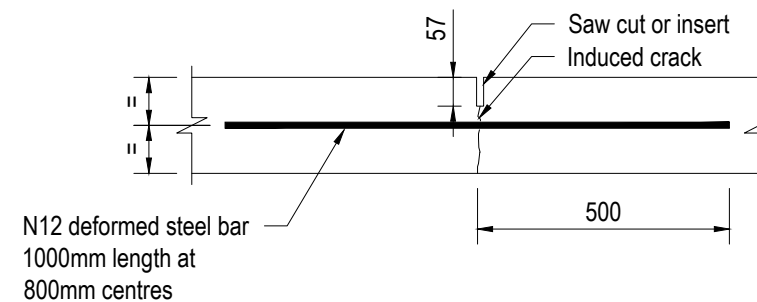
Typical minimum dimensions



Undowelled joint - unreinforced pavement

TRANSVERSE CONTRACTION JOINT

Maximum contraction joint spacing: 4.25m
or no less than 20 times the slab thickness



LONGITUDINAL JOINT

Typical minimum dimensions

Maximum longitudinal joint spacing: 5.00m

Construction Notes

General

- Site specific geotechnical investigations shall be undertaken prior to selecting a particular pavement profile based on the local subgrade conditions.
- The testing frequency to confirm subgrade conditions, including the depth of groundwater, shall be undertaken in accordance with VicRoads Technical Note 78 - Guide to Planning Geotechnical Site Investigations.
- Ground improvement works may include the construction of bridging layers over soft ground as well as adequate groundwater and drainage management.
- Where ground improvement works have been undertaken, the pavement profile for a subgrade CBR of ≥ 5% may be adopted.
- Pavement construction shall be in accordance with but not limited to the following VicRoads Sections:
 - 100 Series - General
 - 173 Examination and Testing of Materials and Work (Roadworks)
 - 200 Series - Formation
 - 500 Series - Concrete Pavements
 - 503 Concrete Base and Lean Mix Concrete Subbase
 - 800 Series - Materials

Drainage

- Appropriate drainage design in accordance with VicRoads Standard Section 702 - Subsurface Drainage and VicRoads SD 1601 shall be undertaken prior to construction of any pavement structures.

Concrete Pavements

- Pavement base to be plain concrete pavement (PCP). Steel mesh reinforcement is required where irregular-shaped slabs, slab thickening or slab openings occur.
- Steel mesh to be placed within the top third of the concrete base layer with a minimum of 50mm cover, where required.
- Refer to VicRoads standard drawing SD 5300 for reinforcement and jointing details.
- Construction of concrete base and jointing details to be prepared in accordance with RMS NSW R83 Concrete Pavement Base in addition to VicRoads Standard Sections

Recycled Materials

- The use of other selected recycled materials in road pavements can be implemented in accordance with Table A of VicRoads Technical Note TN 107 – Use of Recycled Materials in Road Pavements where applicable.

A	APPROVED FOR USE	DEC 2020
No	Revision	Date

Disclaimer:

The authors and sponsoring organisations shall have no liability or responsibility to the user or any other person or entity with respect to any liability, loss or damage caused or alleged to be caused, directly or indirectly, by the adoption and use of these Standard Drawings including, but not limited to, any interruption of service, loss of business or anticipatory profits, or consequential damages resulting from the use of these Standard Drawings. Persons must not rely on these Standard Drawings as the equivalent of, or a substitute for, project-specific design and assessment by an appropriately qualified professional.



DRAWING NOT TO SCALE	
Approved	Project Services
Date	Dec. 2020

Drawing Title	MAJOR AND ARTERIAL ROAD CONCRETE PAVEMENT	
Original Size	Drawing No:	CPP1106
Rev:	A	